

Specification sheet LX 874

Roof drainage systems

Series 84 DRAINLET[®]

Main drainage

Gravity flow

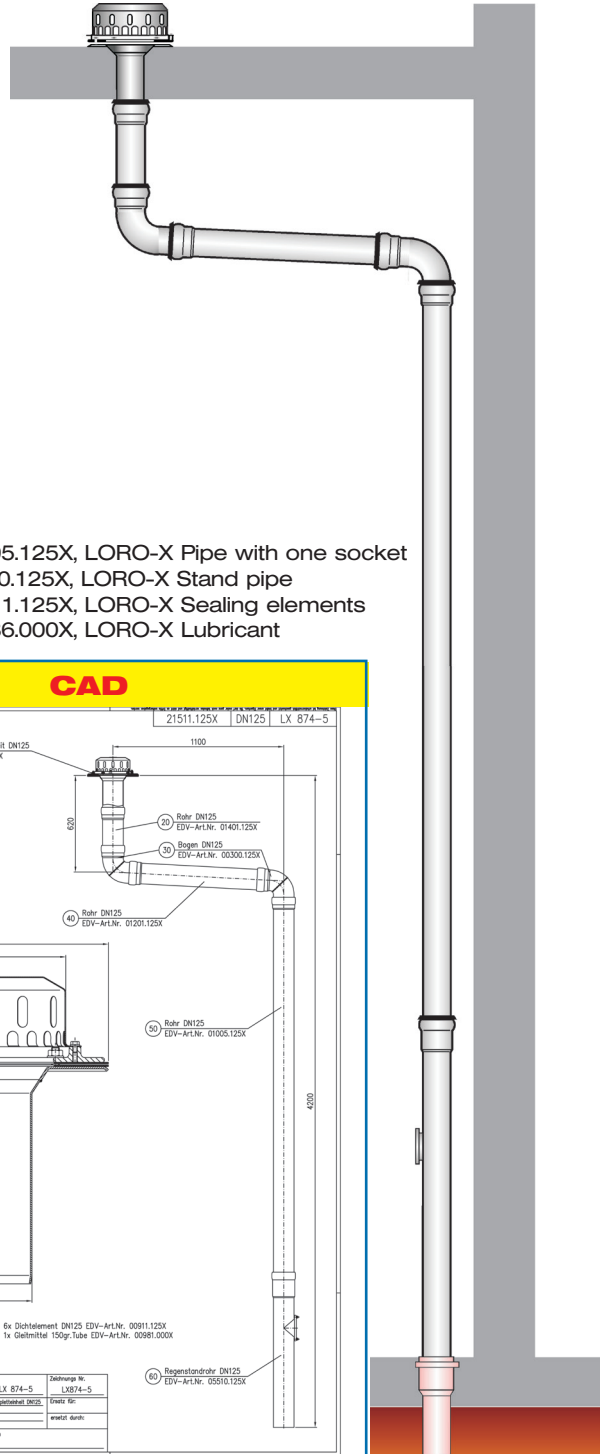
Silent Power

Discharge rate:	9,8 l/sec
Water height:	45 mm
Roof penetration:	-
Diameter:	DN 125
LX-Number:	LX 874
Weir height:	0 mm
Drain:	ventilated
Downpipe:	not ventilated
Downpipe height:	4,2 m
Drainage:	in Sewer

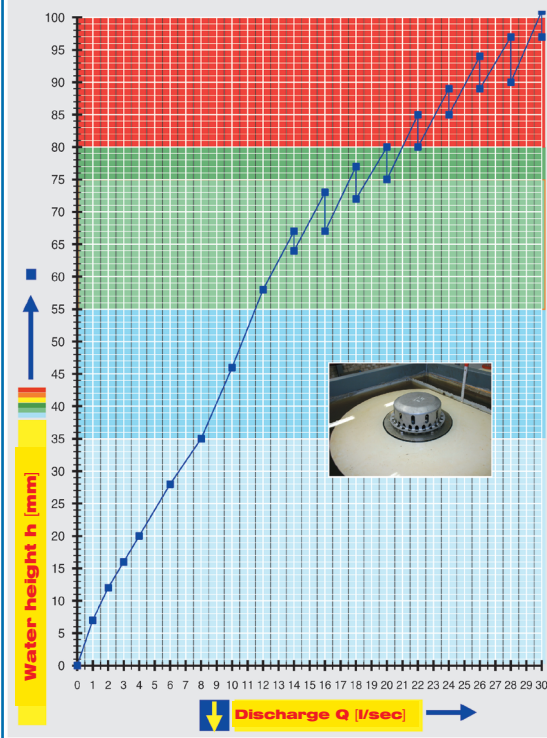
LX 874 Piece list

- 1 x Art.-No. choose drain on page two!
- 1 x Art.-No. 01401.125X, LORO-X Pipe with one socket
- 2 x Art.-No. 00300.125X, LORO-X Bend
- 1 x Art.-No. 01201.125X, LORO-X Pipe with one socket

- 1 x Art.-No. 01005.125X, LORO-X Pipe with one socket
- 1 x Art.-No. 05510.125X, LORO-X Stand pipe
- 6 x Art.-No. 00911.125X, LORO-X Sealing elements
- 1 x Art.-No. 00986.000X, LORO-X Lubricant

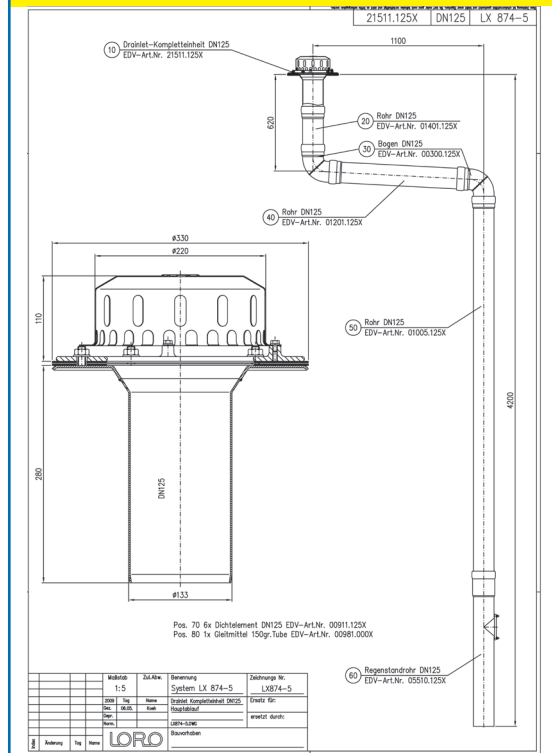


hQ - Head Discharge curve



Systempower

CAD



Systemshape

Water height	mm	5	10	15	20	25	30	35	40	45	50	55	60	65	70	75
Discharge	l/sec		1,6	2,7	4	5,2	6,5	8	8,9	9,8	10,6	11,6	12,4	13,5	15,3	17,6
Silent Power																

Choose drain for piece list on page one!

DN 125

without insulation

LX874-5X

Drain Art.-No. 21511.125X

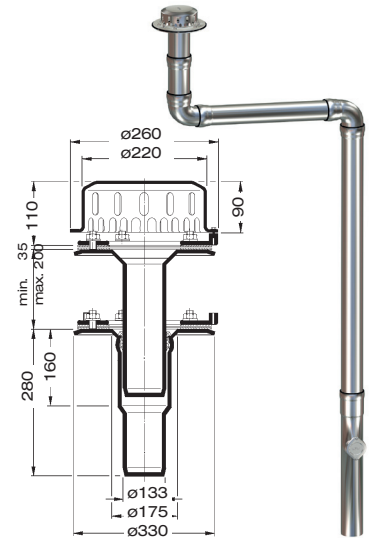
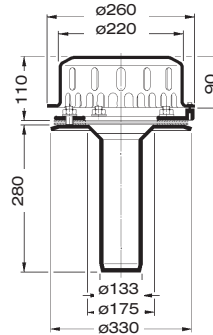
with clamping flange one-piece
for bituminous and plastic roofing sheets



LX874-6X

Drain Art.-No. 21521.125X

with clamping flange two-piece
for bituminous and plastic roofing sheets



with insulation

LX874-7X

Drain Art.-No. 21512.125X

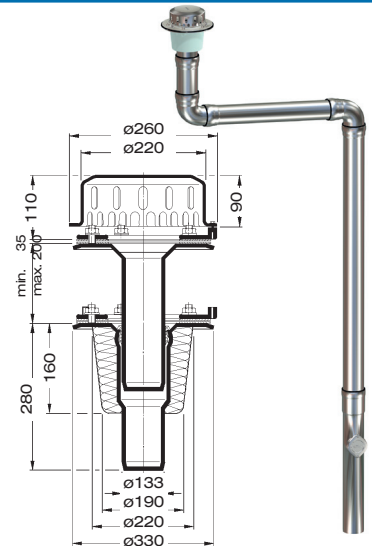
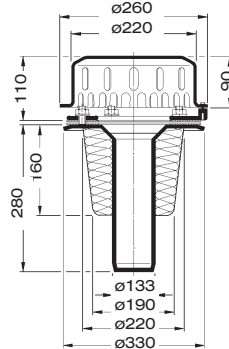
with clamping flange one-piece
for bituminous and plastic roofing sheets



LX874-8X

Drain Art.-No. 21522.125X

with clamping flange two-piece
for bituminous and plastic roofing sheets



with insulation and heating

LX874-9X

Drain Art.-No. 21513.125X

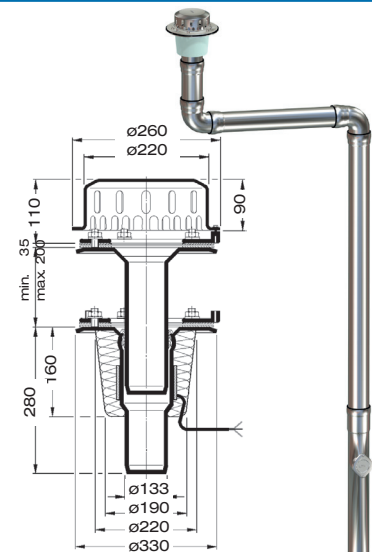
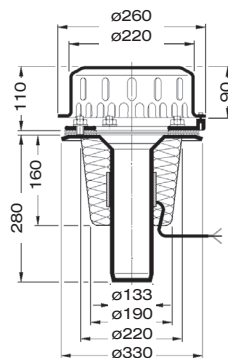
with clamping flange one-piece
for bituminous and plastic roofing sheets



LX874-10X

Drain Art.-No. 21523.125X

with clamping flange two-piece
for bituminous and plastic roofing sheets



Heat tracing: Lorowerk recommends to check all drains and pipes with regard to their frost-sensibility. Where necessary, these parts should be upgraded with heat tracing.